

Some photos may include extra features.



ENGLISH DATED 03/10

# Large Sweeper SL380

Solid, high-performance, untiring.  
Innovative strength.

**BROCK**<sup>®</sup>  
Kehrtechnik GmbH

## Victorious in cleanliness. The BROCK SL 380.

If the job calls for long-distance cleaning, as with road construction projects, then endurance is demanded. The BROCK SL 380 takes on every challenge in this area and makes „clean“ work out of even the most „filthiest“ of jobs. As with all road sweepers bearing the BROCK name, the SL 380 can be individually outfitted or retrofitted, as well: for summer or winter operations and entirely according to the customer's requirements. The BROCK building block system comprises a multitude of auxiliary equipment options to ideally prepare this forward-looking vehicle for any task - in any season.

Even the standard SL380 model can do more: High suction force - an enormous turbine airflow capacity of 380 m<sup>3</sup> per minute - with a relatively low level of consumption - ensures the cost-effectiveness and environmental friendliness of this jumbo road sweeper. Excellent driving comfort, ease of operation and a robust construction round out the SL380 profile. No matter what is found on the roadway - road construction residue, gravel, oil or loose pavement material - the large BROCK SL380 will be victorious in cleanliness every time.



1

- 1 The hydraulically locked hopper hatch door. On request, we will be glad to deliver a warning cross for work along the highway.
- 2 The SL380 is characterized by its unique design.
- 3 The SL380 stands out every time it's emptied thanks to its 60° tilt angle and service-friendly hopper pivot fulcrum.



2 3



## Solid, high-performance, untiring. Impressive muscleman.

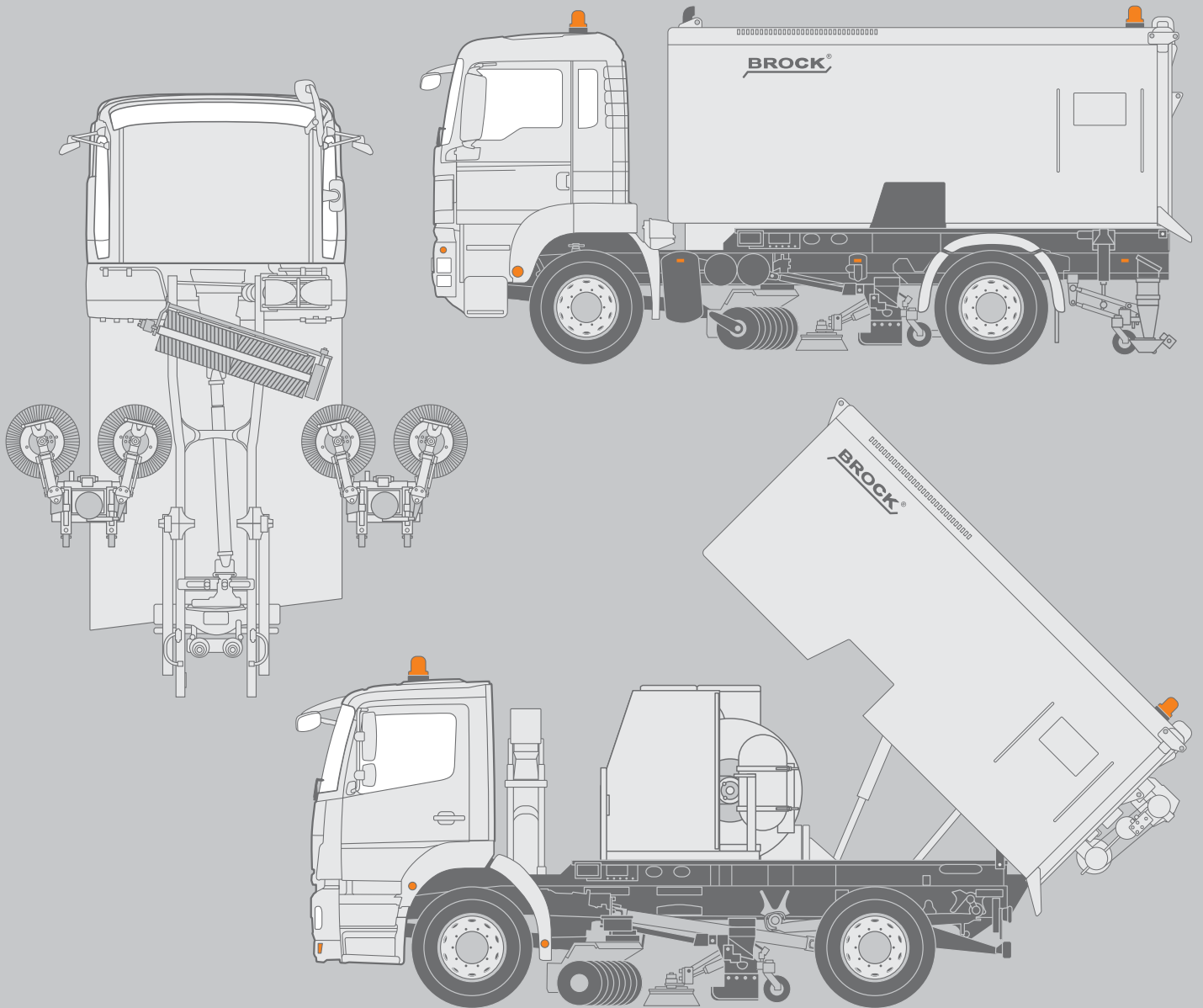
### Uncompromised cleanliness - with every application.

The SL 380 is ideally prepared for lengthy deployments thanks to its 8.5 m<sup>3</sup> debris hopper and 2,600 litre water tank. Except the debris hopper all units are manufactured at our own facilities. The components feature outstanding material properties with low wearing characteristics. The debris hopper sidewalls, middle partition and flooring are manufactured out of high quality (1.4301) stainless steel, while further components on the sweeper unit are made of ST 52-3 steel with special protective lacquering.

The SL 380 is persuasive, but not only because of its dimensions and high-performance: Flexibility, user friendliness and dependability are trademarks of the SL 380 – as with all vehicles wearing the BROCK name. Many special functions and the comfortable handling characteristics of the SL380 support the driver and make a clean sweep of the overall daily workload.

- 4** A unit for oil residue removal, freeing the streets of hazardous oil smears and films. For winter operations, it can be retrofitted into a snow plough (if a unit mounting plate is available).
- 5** High quality and effective auxiliary equipment: High-performance power nozzles work with a water pressure of up to 300 bar.
- 6** The BROCK suction system is convincing because of its powerful suction force.
- 7** A water bar on the bumper prevents dust formation.
- 8** The BROCK SL380 offer excellent technology for the highest level of cleanliness.





## TECHNICAL DATA

### SL 380 Jumbo

		K	2	2 K
	Double conical brush	Conical brush	Double conical brush	Conical brush
	On one side	On one side	On both sides	On both sides
<b>Superstructure</b>				
Hopper volume [ m <sup>3</sup> ]	8,5	8,5	8,5	8,5
Water tank [ litres ]	1,600	1,600	1,600	1,600
Auxiliary water tank possible ( wheelbase extension )	✓	✓	✓	✓
<b>Sweeping unit [ mm ]</b>				
Width of suction duct	650	650	650	650
Conical brush Ø	700	700	700	700
Feeder roller Ø	400	400	400	400
Length of feeder roller	1,500	1,500	1,500	1,500
Suction hose Ø	250	250	250	250
Head of water	1,000	1,000	1,000	1,000
<b>Sweeping width [ maximum l mm ]</b>				
Double conical brush, right o. left	1,600	✗	1,600	✗
Double conical brush, R, with roller	3,000	✗	3,000	✗
Conical brush, right or left	✗	1,135	✗	1,135
Conical brush, R, with roller	✗	2,600	✗	2,600
Conical brush, L, with roller	✗	2,600	✗	2,600
Option: on both sides simultaneously	✗	✗	4,450	3,300
<b>Recommended chassis</b>				
Min. permissible total weight [ t ]	15 - 20	15 - 20	15 - 20	15 - 20
Min. wheelbase [ mm ]	3,600	3,600	3,600	3,600
<b>Overall vehicle [ example ]</b>				
Length [ mm ]	7,300	7,300	7,300	7,300
Width [ mm ]	2,500	2,500	2,500	2,500
Height [ mm ]	3,200	3,200	3,200	3,200
Kerb weight incl. superstructure in standard version [ kg ]	11,715	11,465	11,915	11,655
Superstructure kerb weight [ kg ]	4,695	4,445	4,670	4,645

Technical changes reserved.

No responsibility is taken for the correctness of this information.

### SL 380 Jumbo

		K	2	2 K
	Double conical brush	Conical brush	Double conical brush	Conical brush
	On one side	On one side	On both sides	On both sides
<b>Certification [ additional ]</b>				
PM 10 to Eunited standard	✓	✓	✓	✓
<b>Drive System</b>				
Auxiliary engine Daimler OM 904 LA Euromot IIIa [ kW ]	90 - 129	90 - 129	90 - 129	90 - 129
Hydrostat OMSI – optional depending on permissible total weight	HT 400 - 600	HT 400 - 600	HT 400 - 600	HT 400 - 600
<b>Standard equipment [ optional ]</b>				
Hopper sides/hopper base/centre partition made of material 1.43011	✓	✓	✓	✓
Assemblies extendable and retractable in sweep mode	✓	•	✓	•
Mini console	✓	•	✓	•
Coarse pick-up, two-speed	✓	•	✓	•
Water tank enlargeable without surface suction unit	•	•	•	•
Water tank enlargeable with surface suction unit	✗	✗	✗	✗
Jumbo S version Hose Ø 280 mm Head of water 1,250 mm	•	•	•	•

### SL 380 – Standard

Sweeper fitted as standard with a double conical brush unit on the right or the left, sweepgear that can be extended and retracted in sweep mode and two-speed coarse pick-up

### SL 380 – K

Sweeper fitted as standard with a conical brush unit on the right

### SL 380 – 2

Sweeper fitted as standard with a double conical brush unit on the right and left, sweep-gear that can be extended and retracted in sweep mode and two-speed coarse pick-up

### SL 380 – 2 K

Sweeper fitted as standard with a conical brush unit on the right and left

✓ As standard ✗ Not available • Optional

## COMPANY PROFILE

### BROCK Kehrtechnik GmbH

BROCK Kehrtechnik GmbH stands for innovation, competency and quality in the design and manufacture of high-end sweepers. The specialised expertise of our committed employees and our many years of experience in development and servicing form the basis of our customer-oriented quality policy. This includes competent advice and a reliable service, as well, of course, as quick maintenance and repairs on site. Our mobile customer service and our service partners are always on hand, and the doors of our Witten plant are always open.

We focus on the customer as early on as the design phase. The BROCK sweeper concept was, for this reason, intentionally developed as a modular system. Depending on the chassis model, we can supply hopper sizes from 3 to 12 m<sup>3</sup> with sweepgear on the right-hand side, left-hand side or both sides. We also fulfil any additional special requirements straightaway without any complications. At our company, the customer always sets the benchmarks, so we regularly enquire about and review customers' satisfaction with our company.

#### OUR PRODUCT RANGE

- Sweepers in sizes 3 to 12 m<sup>3</sup>
- Compact sweepers
- Large sweepers
- Airport equipment

#### OUR COMPANY PRINCIPLES

- Our success depends on the satisfaction of our customers.
- We are always searching for optimum solutions to individual problems.
- We make it our priority to be a consistently reliable partner for our customers and be worthy of the trust placed in us.
- We aim to meet all prerequisites to ensure that we fulfil our customers' expectations and stay one step ahead of their requirements.

We live up to this claim set out in our company principles by pursuing our quality policy consistently at all organisational levels.

#### OUR QUALITY POLICY

- Ongoing qualified analysis of customer requirements.
- Competent advice and identification of optimum solutions for specific customer applications.
- Development and manufacture of reliable and serviceable products.
- Ongoing review of the research status in order to fulfil all customer requirements in future too.
- Guaranteed quick, smooth order processing and prompt delivery to schedule.
- Timely provision of comprehensible documentation.
- Continuous optimisation of company processes and an ongoing review of the effectiveness of our QM system.

## PARTNER NETWORK

### WORLDWIDE



### EUROPE



### WORLDWIDE:

Angola, Armenia, Azerbaijan, Bangladesh, Belarus, Burma, Egypt, French Guyana, India, Indonesia, Iran, Iraq, Israel, Jordan, Kazakhstan, Kenya, Kyrgyzstan, La Reunion, Lebanon, Libya, Martinique, Mauritania, Mexico, Nepal, Pakistan, Russian Federation, Sudan, Tajikistan, Tanzania, Tunisia, Turkmenistan, Uzbekistan

### EUROPE:

Austria, Baltic States, Belgium-Flanders, Belgium-Wallonia, Bosnia & Herzegovina, Croatia, Czech Republic, Denmark, Finland, France, Georgia, Great Britain, Greece, Hungary, Italy, Moldova, Montenegro, Netherlands, Norway, Poland, Portugal, Romania, Serbia & Macedonia, Spain, Sweden, Switzerland, Turkey, Ukraine



**NISZERT**  
ZERTIFIZIERUNGS- UND  
UMWELTGÜTACHTER GMBH

BROCK KEHRTECHNIK GMBH  
IST DIN EN ISO ZERTIFIZIERT.  
DIN EN ISO 9001:2000



Salinger Feld 10 a  
58454 Witten | Germany

Tel.: 0049 (0) 23 0289 69-0  
Fax: 0049 (0) 23 0289 69-1509

[www.brock-kehrtechnik.de](http://www.brock-kehrtechnik.de)  
[info@brock-kehrtechnik.de](mailto:info@brock-kehrtechnik.de)

YOUR REGIONAL CONTACT