



ENGLISH DATED 03/10

# Large Sweeper SL 200

Versatile, flexible, environmentally friendly.  
**Innovative strength.**

**BROCK®**  
Kehrtechnik GmbH

## The versatile classic. BROCK SL 200.

Differing roadway surfaces, long vs. short distances, loose pavement material, oil residue or gravel: Demands placed on a road sweeper in the municipal environment vary considerably - and call for master-level solutions with the highest degree of competency in sweeper technology. The suction for debris on the BROCK SL 200 allows it to master every situation and makes it perfectly suited to any cleaning task. Thanks to the BROCK building block system, the SL 200 can be outfitted or retrofitted specifically to account for the situation and deployment site, as well as for summer or winter operations. A multitude of auxiliary equipment options are available to adapt the vehicle to a wide variety of challenges.

A high level of performance is standard in this classic model: The enormous turbine airflow capacity of 200 m<sup>3</sup> per minute provides the SL 200 with an extremely high suction for debris. This universal multi-talent works just as efficiently as it does quietly and proves itself anew with each deployment - and not only in the municipal sector.



1

- 1 The hydraulically locked hopper hatch door. On request, we will be glad to deliver a warning cross for work along the highway.
- 2 The SL200 is characterized by its unique design.
- 3 The BROCK double conical brushes.



2 3





## Versatile, flexible, environmentally friendly. High demands – perfectly solved.

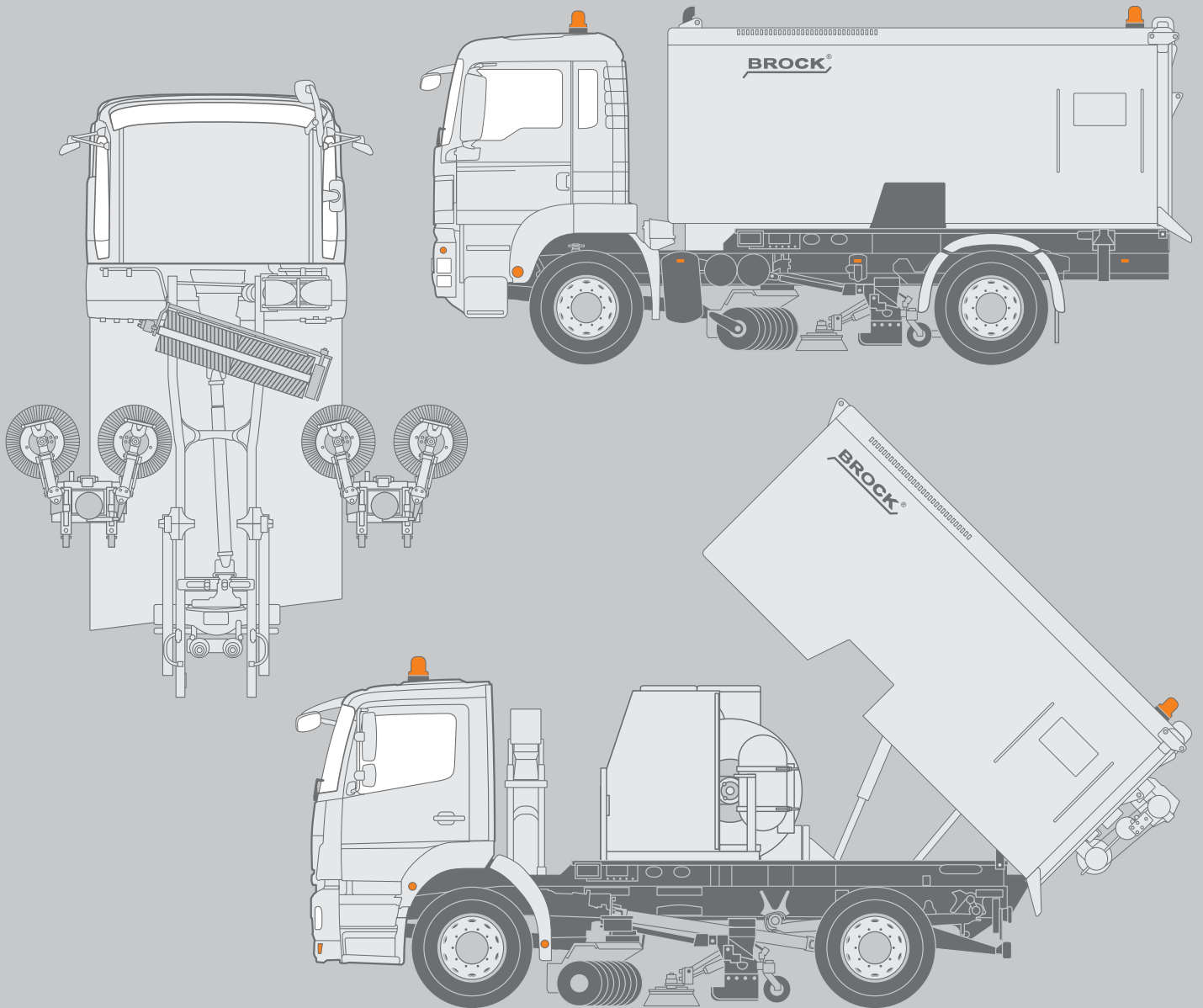
### Clean performance for local communities and other applications.

The SL 200 is ideally prepared for lengthy deployments thanks to its 6 m<sup>3</sup> debris hopper and 1,200 litre water tank. The debris hopper sidewalls, middle partition and flooring are manufactured out of high quality stainless steel. All other units are made at our own facilities, and feature the outstanding material properties with low wearing characteristics.

This classic model from the BROCK line is economical to operate and gentle on the environment: The BROCK SL200 cleans streets and pavement stone reliably at the most varied deployment sites. Its robust chassis guarantees excellent driving comfort, even under the most difficult conditions. Many special functions and comfortable handling characteristics support drivers in their daily work. The highest levels of „made in Germany“ quality functionality and safety, all inherent to the BROCK name, make the BROCK SL200 a high-performance cleaner at the master's level.

- 4 The BROCK SL200 offers excellent technology for the highest level of cleanliness..
- 5 High-performance conical and cylindrical brushes guarantee most efficient cleaning.
- 6 All functions are clearly and conveniently controlled from the control console.
- 7 The versatile SL200 can be modified easily with various extra features for multiple tasks, for example for winter services.





## TECHNICAL DATA

### SL 200

		K	2	2 K
	Double conical brush	Conical brush	Double conical brush	Conical brush
	On one side	On one side	On both sides	On both sides
<b>Superstructure</b>				
Hopper volume [ m <sup>3</sup> ]	6	6	6	6
Water tank [ litres ]	1,200	1,200	1,200	1,200
Auxiliary water tank possible ( wheelbase extension )	•	•	•	•
<b>Sweeping unit [ mm ]</b>				
Width of suction duct	650	650	650	650
Conical brush Ø	700	700	700	700
Feeder roller Ø	400	400	400	400
Length of feeder roller	1,500	1,500	1,500	1,500
<b>Sweeping width [ maximum l mm ]</b>				
Double conical brush, right o. left	1,600	✗	1,600	✗
Double conical brush, R, with roller	3,000	✗	3,000	✗
Conical brush, right or left	✗	1,135	✗	1,135
Conical brush, R, with roller	✗	2,600	✗	2,600
Conical brush, L, with roller	✗	2,600	✗	2,600
Option: on both sides simultaneously	✗	✗	4,450	3,300
<b>Recommended chassis</b>				
Min. permissible total weight [ t ]	10 - 18	10 - 18	10 - 18	10 - 18
Min. wheelbase [ mm ]	3,200	3,200	3,200	3,200
<b>Overall vehicle [ example ]</b>				
Approx. length [ mm ]	6,350	6,350	6,350	6,350
Approx. width [ mm ]	2,500	2,500	2,500	2,500
Approx. height [ mm ]	2,900	2,900	2,900	2,900
Kerb weight incl. superstructure in standard version [ kg ]	8,554	8,304	8,754	8,504
Superstructure kerb weight [ kg ]	4,200	3,950	4,400	4,150

Technical changes reserved.

No responsibility is taken for the correctness of this information.

### SL 200

		K	2	2 K
	Double conical brush	Conical brush	Double conical brush	Conical brush
	On one side	On one side	On both sides	On both sides
<b>Certification [ additional ]</b>				
PM 10 to Eunited standard	✓	✓	✓	✓
<b>•Drive System</b>				
Auxiliary engine Daimler OM 904 LA Euromot IIIa [ kW ]	75	75	75	75
Hydrostat OMSI [ optional ]	HT 400	HT 400	HT 400	HT 400
<b>Standard equipment [ optional ]</b>				
Hopper sides / hopper base / centre partition made of material 1.4301	✓	✓	✓	✓
Assemblies extendable and retractable in sweep mode	✓	✓	•	•
Mini console	✓	✓	•	•
Coarse pick-up, two-speed	✓	✓	•	•
Water tank enlargeable without surface suction unit	•	•	•	•
Water tank enlargeable with surface suction unit	✗	✗	✗	✗
Jumbo/Jumbo S version 1,250 mm head of water	✗	✗	✗	✗

### SL 200 – Standard

Sweeper fitted as standard with a double conical brush unit on the right or the left, sweepgear that can be extended and retracted in sweep mode and two-speed coarse pick-up

### SL 200 – K

Sweeper fitted as standard with a conical brush unit on the right

### SL 200 – 2

Sweeper fitted as standard with a double conical brush unit on the right and left, sweep-gear that can be extended and retracted in sweep mode and two-speed coarse pick-up

### SL 200 – 2 K

Sweeper fitted as standard with a conical brush unit on the right and left

✓ As standard ✗ Not available • Optional

## COMPANY PROFILE

### BROCK Kehrtechnik GmbH

BROCK Kehrtechnik GmbH stands for innovation, competency and quality in the design and manufacture of high-end sweepers. The specialised expertise of our committed employees and our many years of experience in development and servicing form the basis of our customer-oriented quality policy. This includes competent advice and a reliable service, as well, of course, as quick maintenance and repairs on site. Our mobile customer service and our service partners are always on hand, and the doors of our Witten plant are always open.

We focus on the customer as early on as the design phase. The BROCK sweeper concept was, for this reason, intentionally developed as a modular system. Depending on the chassis model, we can supply hopper sizes from 3 to 12 m<sup>3</sup> with sweepgear on the right-hand side, left-hand side or both sides. We also fulfil any additional special requirements straightaway without any complications. At our company, the customer always sets the benchmarks, so we regularly enquire about and review customers' satisfaction with our company.

#### OUR PRODUCT RANGE

- Sweepers in sizes 3 to 12 m<sup>3</sup>
- Compact sweepers
- Large sweepers
- Airport equipment

#### OUR COMPANY PRINCIPLES

- Our success depends on the satisfaction of our customers.
- We are always searching for optimum solutions to individual problems.
- We make it our priority to be a consistently reliable partner for our customers and be worthy of the trust placed in us.
- We aim to meet all prerequisites to ensure that we fulfil our customers' expectations and stay one step ahead of their requirements.

We live up to this claim set out in our company principles by pursuing our quality policy consistently at all organisational levels.

#### OUR QUALITY POLICY

- Ongoing qualified analysis of customer requirements.
- Competent advice and identification of optimum solutions for specific customer applications.
- Development and manufacture of reliable and serviceable products.
- Ongoing review of the research status in order to fulfil all customer requirements in future too.
- Guaranteed quick, smooth order processing and prompt delivery to schedule.
- Timely provision of comprehensible documentation.
- Continuous optimisation of company processes and an ongoing review of the effectiveness of our QM system..

## PARTNER NETWORK

### WORLDWIDE



### EUROPE



#### WORLDWIDE:

Angola, Armenia, Azerbaijan, Bangladesh, Belarus, Burma, Egypt, French Guyana, India, Indonesia, Iran, Iraq, Israel, Jordan, Kazakhstan, Kenya, Kyrgyzstan, La Reunion, Lebanon, Libya, Martinique, Mauritania, Mexico, Nepal, Pakistan, Russian Federation, Sudan, Tajikistan, Tanzania, Tunisia, Turkmenistan, Uzbekistan

#### EUROPE:

Austria, Baltic States, Belgium-Flanders, Belgium-Wallonia, Bosnia & Herzegovina, Croatia, Czech Republic, Denmark, Finland, France, Georgia, Great Britain, Greece, Hungary, Italy, Moldova, Montenegro, Netherlands, Norway, Poland, Portugal, Romania, Serbia & Macedonia, Spain, Sweden, Switzerland, Turkey, Ukraine



**NISZERT**  
ZERTIFIZIERUNGS- UND  
UMWELTGÜTACHTER GMBH

BROCK KEHRTECHNIK GMBH  
IST DIN EN ISO ZERTIFIZIERT.  
DIN EN ISO 9001:2000



Salinger Feld 10 a  
58454 Witten | Germany

Tel.: 0049 (0) 23 0289 69-0  
Fax: 0049 (0) 23 0289 69-1509

[www.brock-kehrtechnik.de](http://www.brock-kehrtechnik.de)  
[info@brock-kehrtechnik.de](mailto:info@brock-kehrtechnik.de)

YOUR REGIONAL CONTACT